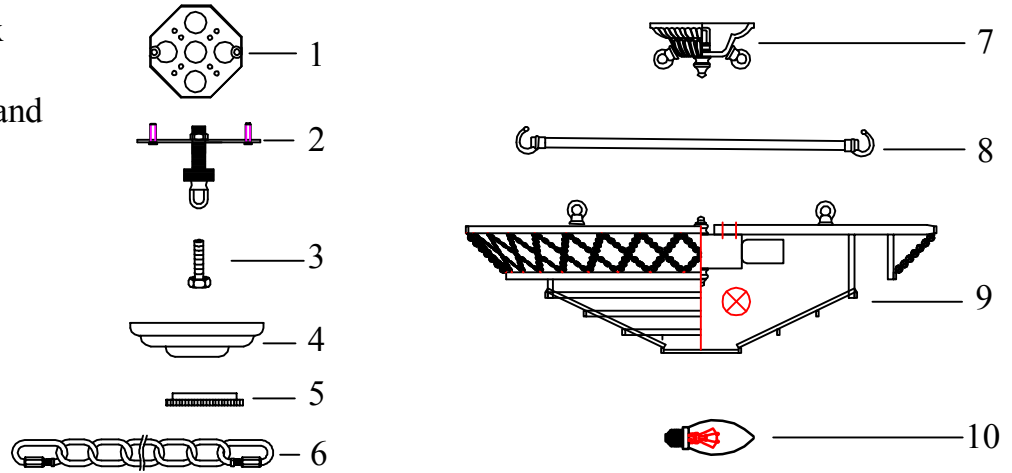




See an assembly video on YouTube: search "Pecaso 5860-20"

INSTALLATION INSTRUCTIONS MODEL :5860-20

1. Existing Electrical Box
2. Hanger Bracket
(Includes: threaded pipe and canopy loop)
3. #8-32 Screws
4. Canopy
5. Canopy Lock Ring
6. Chain
7. Decorative Canopy
8. Pipe with Hook
9. Main Frame
10. E12 Bulbs



INSTALLATION PROCEDURE

WARNING

To reduce the risk of electric shock, insure electricity has been turned off at the circuit breaker or fuse box before beginning.

All wiring must be in accordance with the National Electrical Code and local electrical codes.

Electrical installation should be performed by a qualified licensed electrician.

This fixture must be mounted to an approved outlet box that is directly supported by the building structure.

Note: make sure the power is off.

STEP 1: Attach the hanger bracket on the existing electrical box using the two #8-32 screws supplied with the existing electrical box. Tighten the two screws on the outlet box securely. Leave the wires exposed coming from the outlet box as shown in Figure 1.

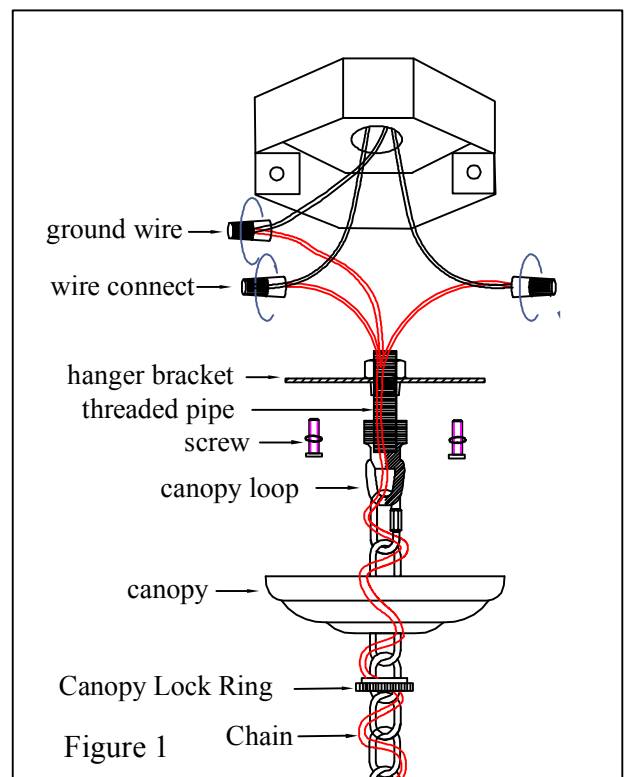
STEP 2: Connect the main frame to the decorative canopy with the pipe with hook refer to Figure 2.

STEP 3: Connect the chain to the loop in the decorative canopy. Insert the canopy and canopy lock ring to the chain, and close end loop of chain tightly refer to Figure 2.

STEP 4: Lift up light fixture and connect the other end of the chain to the loop of hanger bracket, and close the end loop of chain tightly refer to Figure 2.

STEP 5: Cover the hanger bracket by canopy and tighten the threaded ring tightly and securely.

STEP 6: Feed electrical wire from main frame through the pipe with hook, decorative canopy, chain, canopy lock ring, canopy and hanger bracket refer to Figure 2.



INSTALLATION INSTRUCTIONS

MODEL :5860-20

STEP 7:1. Locate the supply ground wires from the existing electrical box and the wire marked "G" coming out of the light fixture with supplied wire connector, refer to Figure 1.
2. Connect the wire marked "N" to the white supply wire from existing electrical box with supplied wire connector, refer to Figure 1.

3. Connect the wire marked "L" to the black supply wire from existing electrical box, refer to Figure 2.

4. After connection the wires, place all connected wire and wire connector in the existing electrical box.

STEP 8: Cover the hanger bracket by canopy, and screw the canopy lock ring to the hanger bracket tightly, refer to Figure 2.

STEP 9. Install 6PCS 40 watts maximum compact E12 bulbs (included) into the bulb sockets.

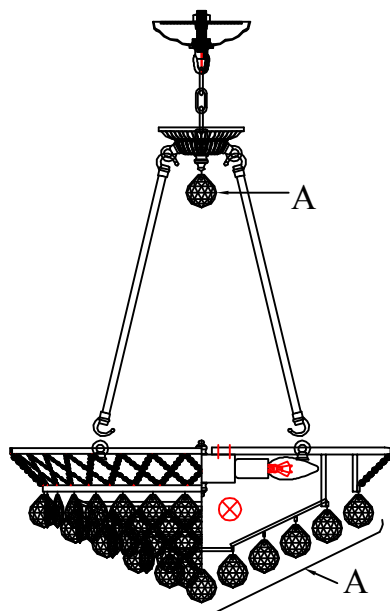
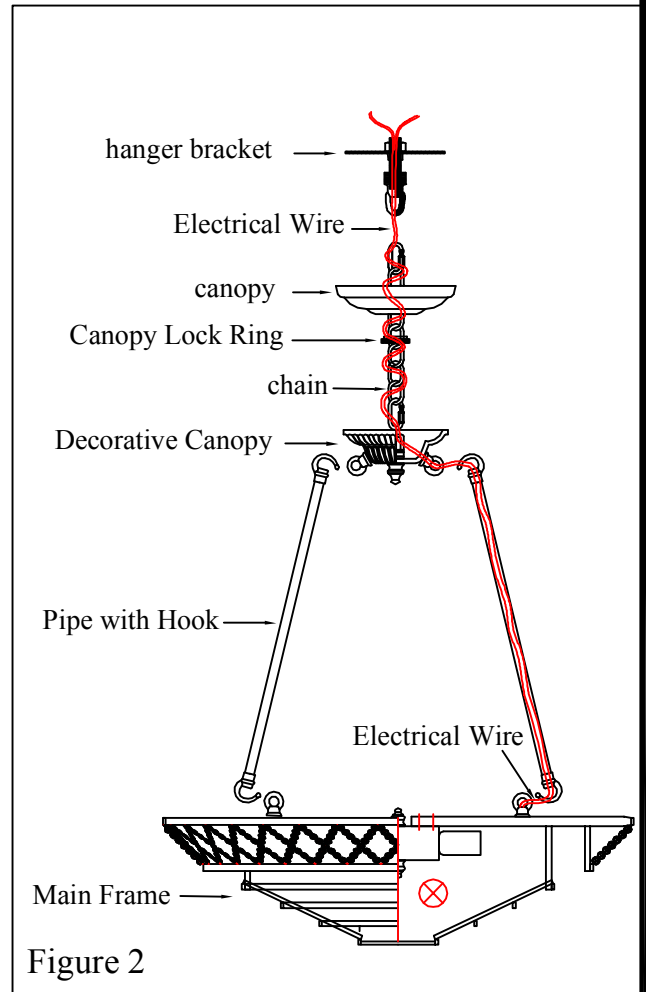
CAUTION - RISK OF FIRE, USE MAXIMUM 40 WATT COMPACT E12 BULBS.

Turn the power back ON and ensure that all sockets and light bulbs are working properly.

STEP 10: You are now ready to hang the crystals on the already installed frame.

*Be sure to use the gloves provided or any other lint free gloves.

*Start hanging the crystals in ALPHABETICAL ORDER starting from the lowest Letter "A".



NO.	QUANTITY
A	92 pieces

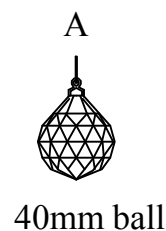


Figure 3