



Installation Instructions for: 4701-16F

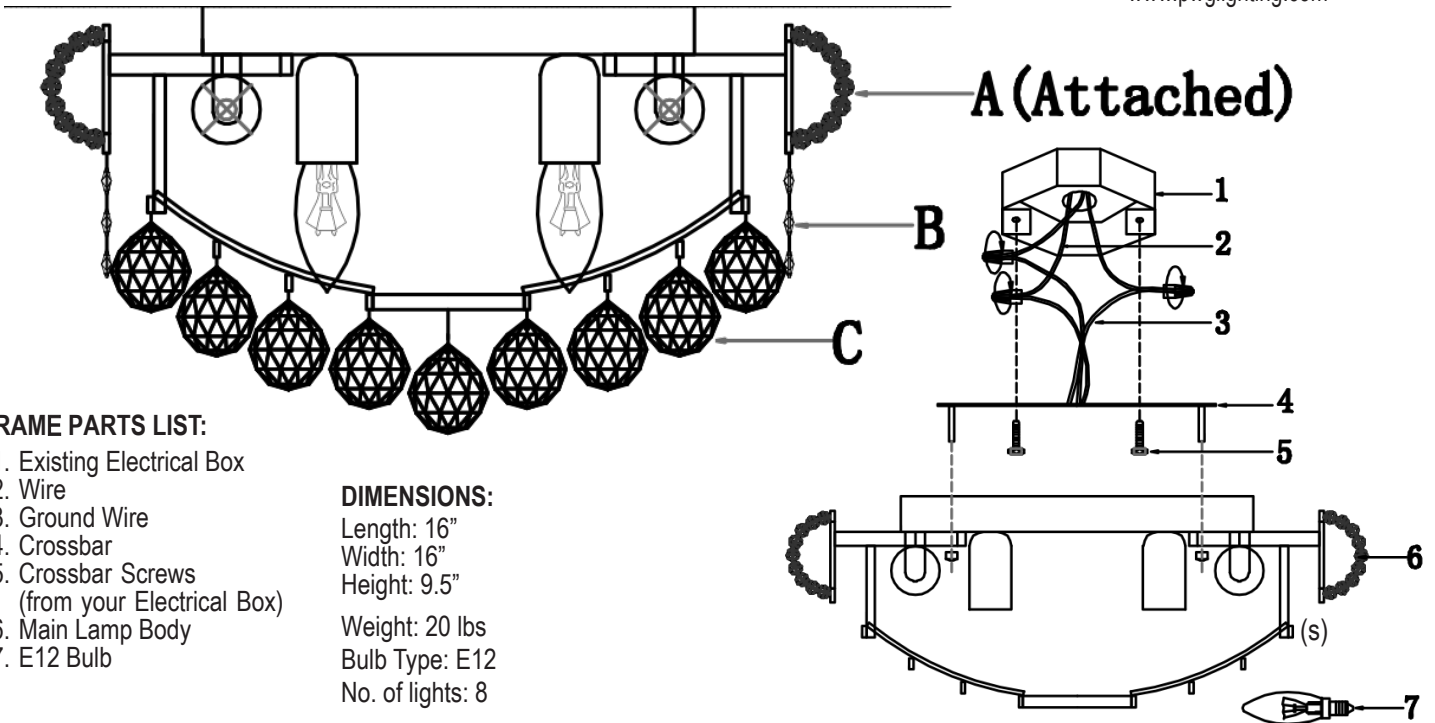
Need Help?

Phone Support: (855) 303-4500

Email Support:

CS@LightingByPecos.com

www.pwglighting.com



FRAME PARTS LIST:

1. Existing Electrical Box
2. Wire
3. Ground Wire
4. Crossbar
5. Crossbar Screws (from your Electrical Box)
6. Main Lamp Body
7. E12 Bulb

DIMENSIONS:

Length: 16"  
 Width: 16"  
 Height: 9.5"  
 Weight: 20 lbs  
 Bulb Type: E12  
 No. of lights: 8

IMPORTANT SAFETY INSTRUCTIONS:

1. Use an authorized and certified electrician for consultation and installation.
2. The screws need to be screwed into a solid support structure inside the ceiling.
3. This fixture has been rated for 40-watt maximum E12 standard bulb.
4. To avoid the risk of fire, do not exceed the recommended wattage.
5. The manufacturer and distributor accepts no liability for incorrect installation.
6. For indoor use only.
7. Keep away from children.

WARNINGS:

1. Turn off electricity supply at main circuit panel before installing. Do not connect electricity supply until your ceiling light is fully assembled and installed.
2. All wires are connected. Do not remove the ceiling light from its packaging by pulling on the power cord, as a bad connection may result.
3. To reduce the risk of fire, electrical shock, or personal injury, always turn off the ceiling light and allow it to cool prior to replacing light bulb. Do not touch bulb when fixture is turned on or look directly at light bulb. Keep flammable materials away from light bulb.
4. Deviation from instructions may result in a risk of fire or electric shock.

ASSEMBLY INSTRUCTIONS:

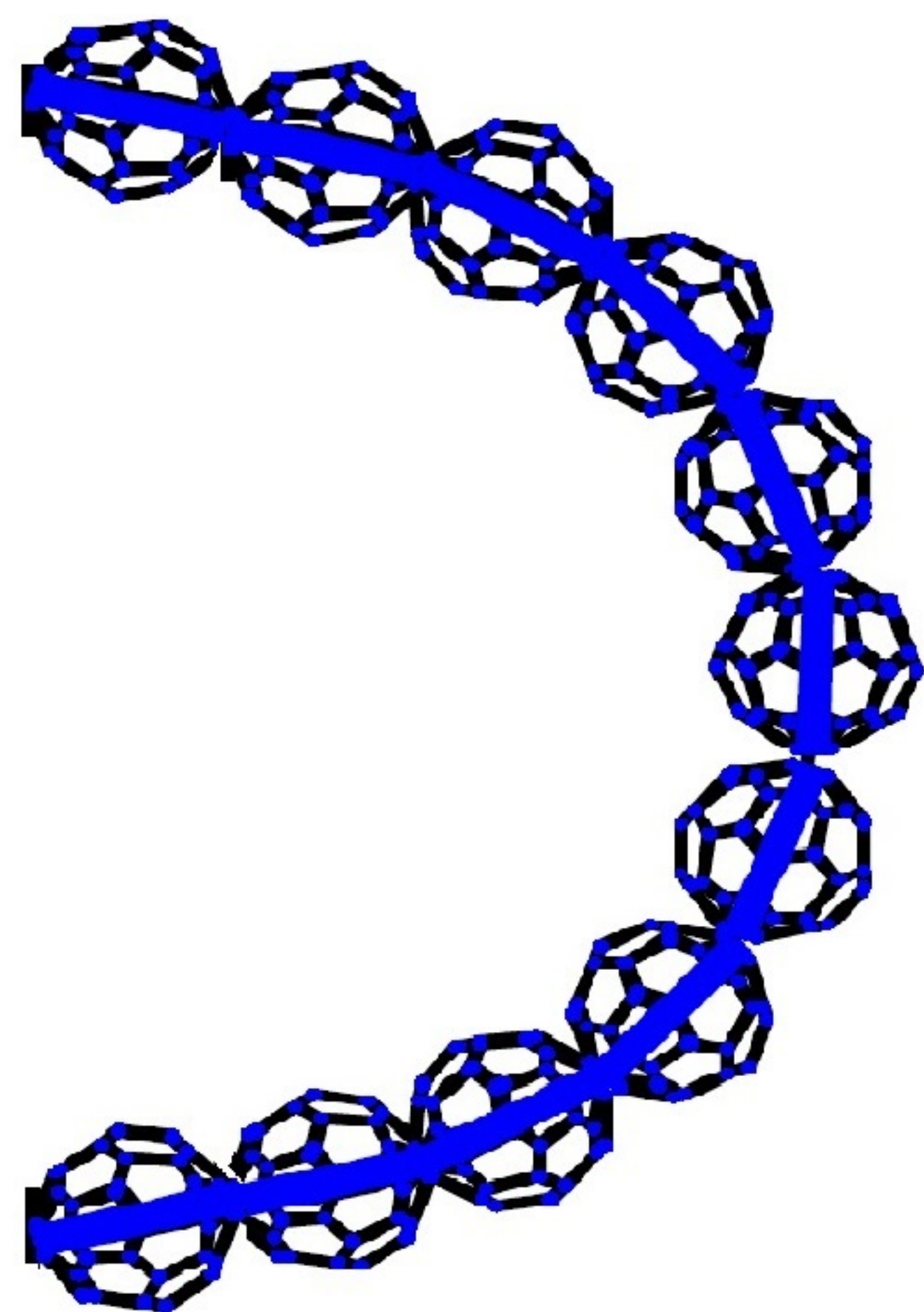
1. Before mounting the frame, detach the ring basket by removing the four screws marked (S) in the diagram as well as the bottom cap. Using the screws from your existing electrical box (not provided), mount the fixture to your electrical box with the round or X-shaped crossbar on the fixture's back plate, but do not tighten until wiring is complete.
2. With the guidance of a licensed electrician or handyman, join the Live, Neutral and Ground wires from the fixture to the appropriate locations on your electrical box. Once you have ensured that the wiring is complete and all lights turn on, tighten the screws attaching the fixture to the electrical box until the fixture no longer shifts. Then place light bulbs in each socket before attaching the basket again.
3. Once you have ensured that the electrical work is complete and all lights are functioning, begin to dress the fixture with the included crystal set. Attach the Crystal Balls (B to C) to each open hole on the bottom rings of the fixture using the decorative pins, then pinch the end down to secure.

CARE INSTRUCTIONS:

1. Make sure that the power is turned off and bulb has cooled before handling.
2. Wipe clean with a dry cloth or feather duster to remove dust.
3. If dust does not wipe off, remove the dirty crystals and soak in cleaning solutions for 20 minutes, then leave to air dry overnight. Do not return crystals to fixture while wet. Do not use corrosive or ammonia-based cleaners.

# 4701-16F

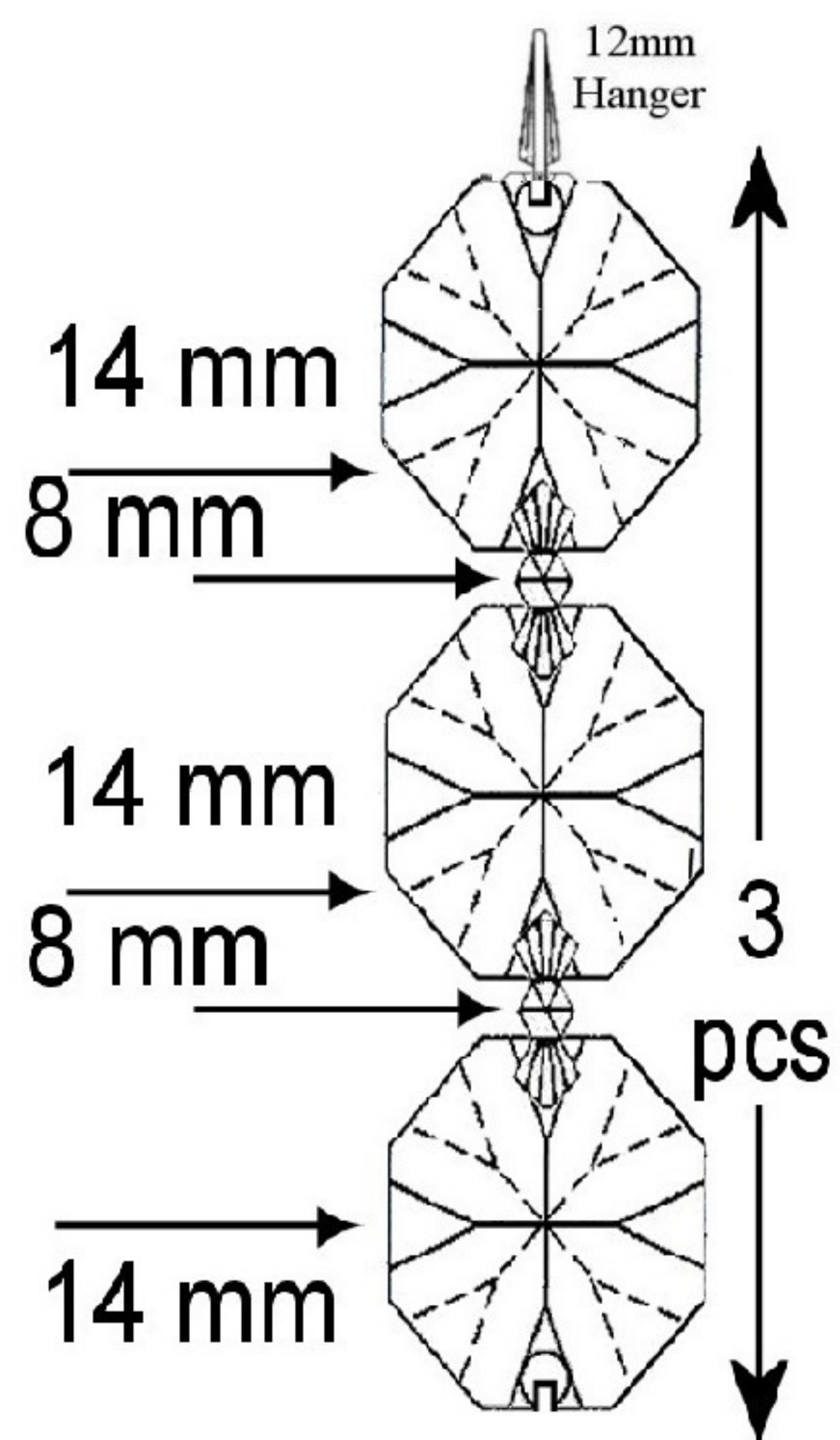
A



PRE-ATTACHED

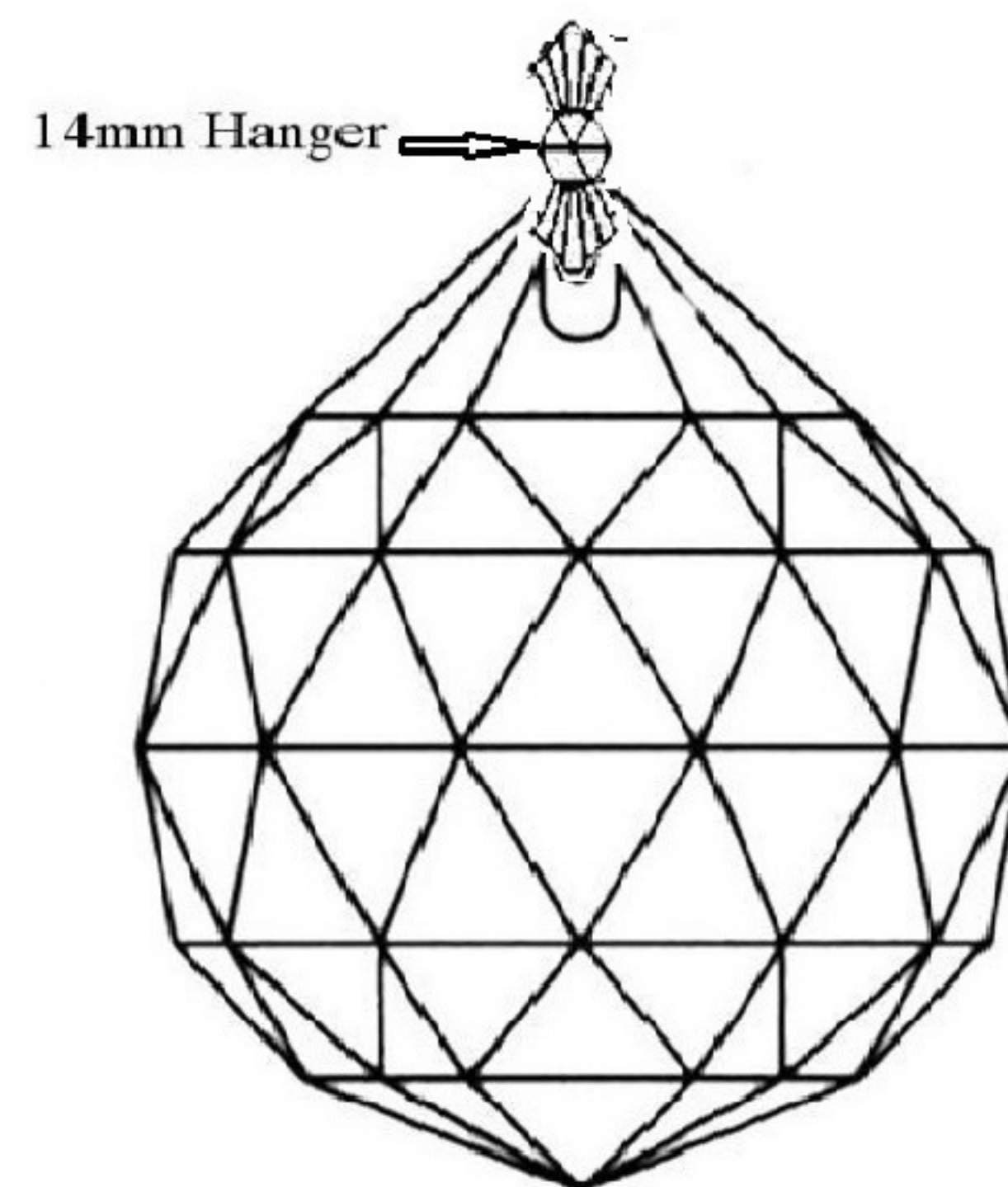
116 PCS

B



64 PCS

C



58PCS