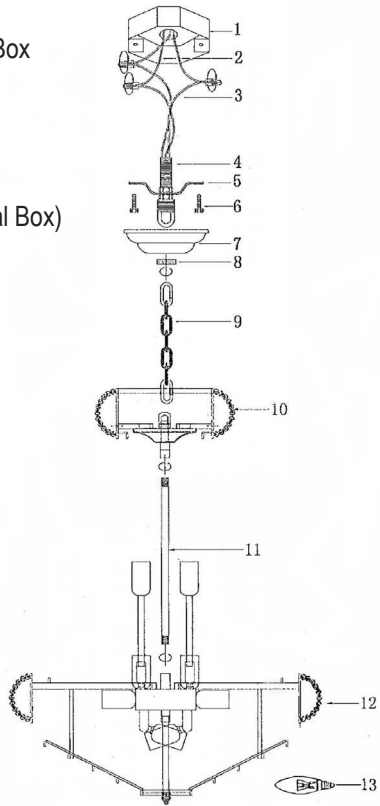


Installation Instructions for: 4701-20

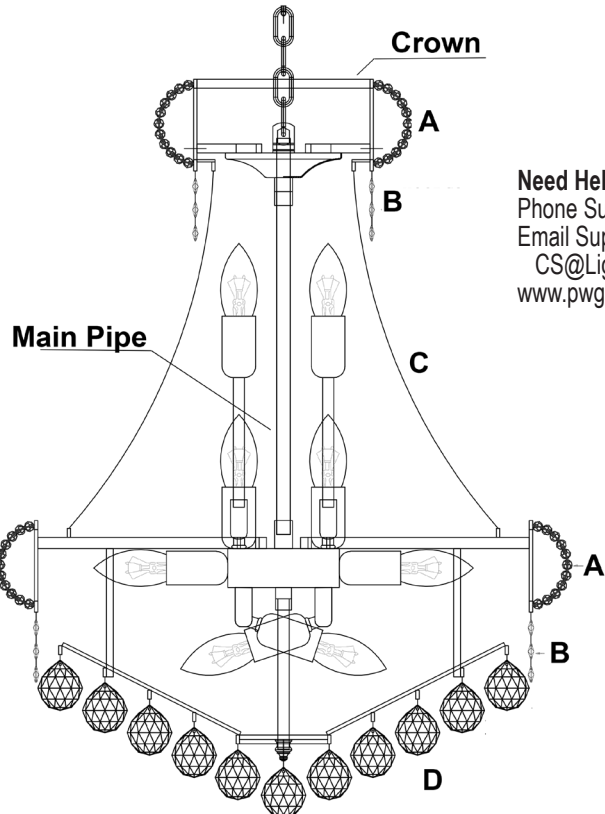
FRAME PARTS LIST:

1. Existing Electrical Box
2. Wire
3. Ground Wire
4. Threaded Pipe
5. Crossbar
6. Crossbar Screws (from your Electrical Box)
7. Canopy Cup
8. Canopy Nut Lock
9. Chain
10. Top Tier
11. Main Pipe
12. Bottom Tier
13. E12 Bulbs



DIMENSIONS:

- Length: 20"
 Width: 20"
 Height: 26"
 Weight: 45 lbs
 Bulb Type: E12
 No. of lights: 14



Need Help?
 Phone Support: (855) 303-4500
 Email Support: CS@LightingByPecos.com
 www.pwglighting.com

IMPORTANT SAFETY INSTRUCTIONS:

1. Use an authorized and certified electrician for consultation and installation.
2. The screws need to be screwed into a solid support structure inside the ceiling, which would require professional installation.
3. This fixture has been rated for 40-watt maximum E12 standard bulb.
4. To avoid the risk of fire, do not exceed the recommended wattage.
5. The manufacturer and distributor accepts no liability for incorrect installation.
6. For indoor use only.
7. Keep away from children.

WARNINGS:

1. Turn off electricity supply at main circuit panel before installing. Do not connect electricity supply until your ceiling light is fully assembled and installed.
2. All wires are connected. Do not remove the ceiling light from its packaging by pulling on the power cord, as a bad connection may result.
3. To reduce the risk of fire, electrical shock, or personal injury, always turn off the ceiling light and allow it to cool prior to replacing light bulb. Do not touch bulb when fixture is turned on or look directly at light bulb. Keep flammable materials away from light bulb.
4. Deviation from instructions may result in a risk of fire or electric shock.

ASSEMBLY INSTRUCTIONS:

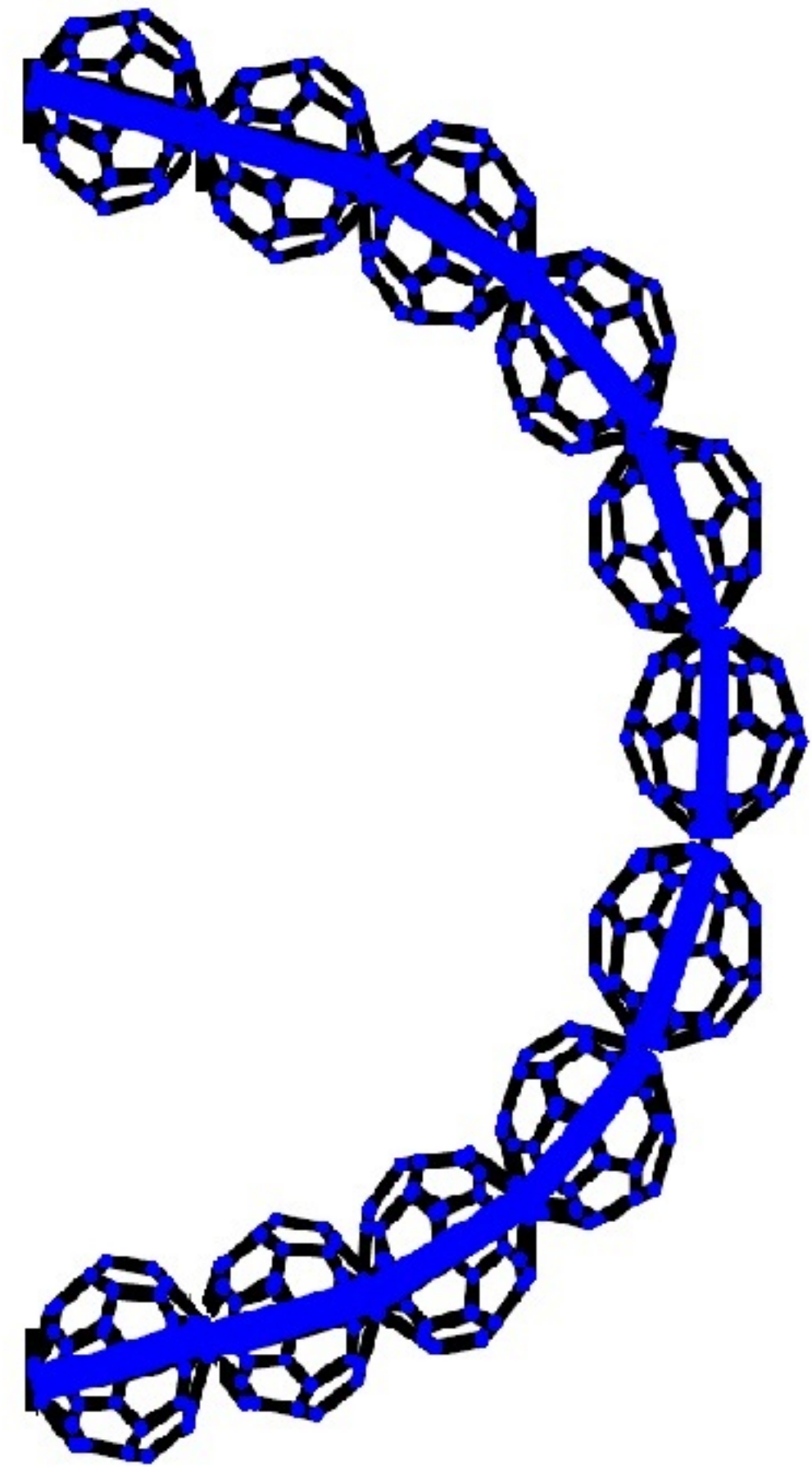
1. Remove fixture frame and white crystal packaging from box.
2. Taking the Main Pipe, pass the electrical wire through the pipe and affix into the slot atop the light box where the wires are emerging from. (Warning: After passing the wires through the pipe, hold taut while you screw the threaded end of the Main Pipe into the frame's light box to avoid the wires from twisting).
3. With the Main Pipe affixed and wires passed through, pass the wires through the Crown, entering through the threaded slot and pulling out from the loop at the top of the Crown. Again, hold the wires taut as you screw the Crown into place onto the top threaded end of the main pipe.
4. With the Main Pipe and Crown affixed to the top of the light box, frame assembly is now complete. Hang the frame on the matching chain and ceiling canopy after mounting to an existing electrical box using the screws from your electrical box. Thread the electrical wire to your existing electrical box with the guidance of a licensed electrician or handyman. Test that all lightbulbs turn on before proceeding to crystal dressing.
5. With the frame installed, dress the frame with the included crystal dressing B through D as shown in the diagram, passing the metal pins attached to the crystals through each hole and then pinching the pin closed.

CARE INSTRUCTIONS:

1. Make sure that the power is turned off and bulb has cooled before handling.
2. Wipe clean with a dry cloth or feather duster to remove dust.
3. If dust does not wipe off, remove the dirty crystals and soak in cleaning solutions for 20 minutes. Do not return crystals to fixture while wet. Do not use corrosive or ammonia-based cleaners.

4701-20E

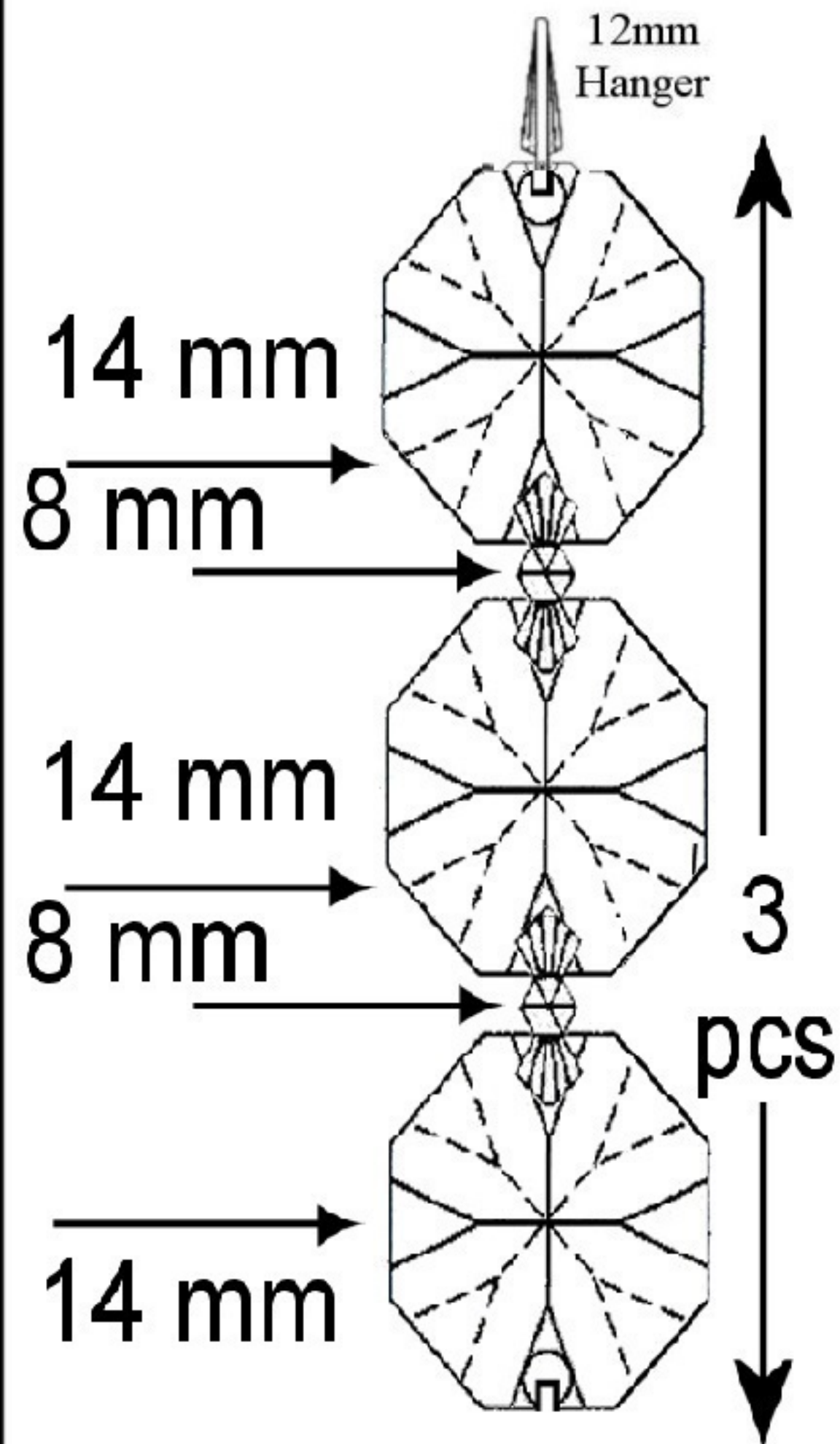
A



PRE-ATTACHED

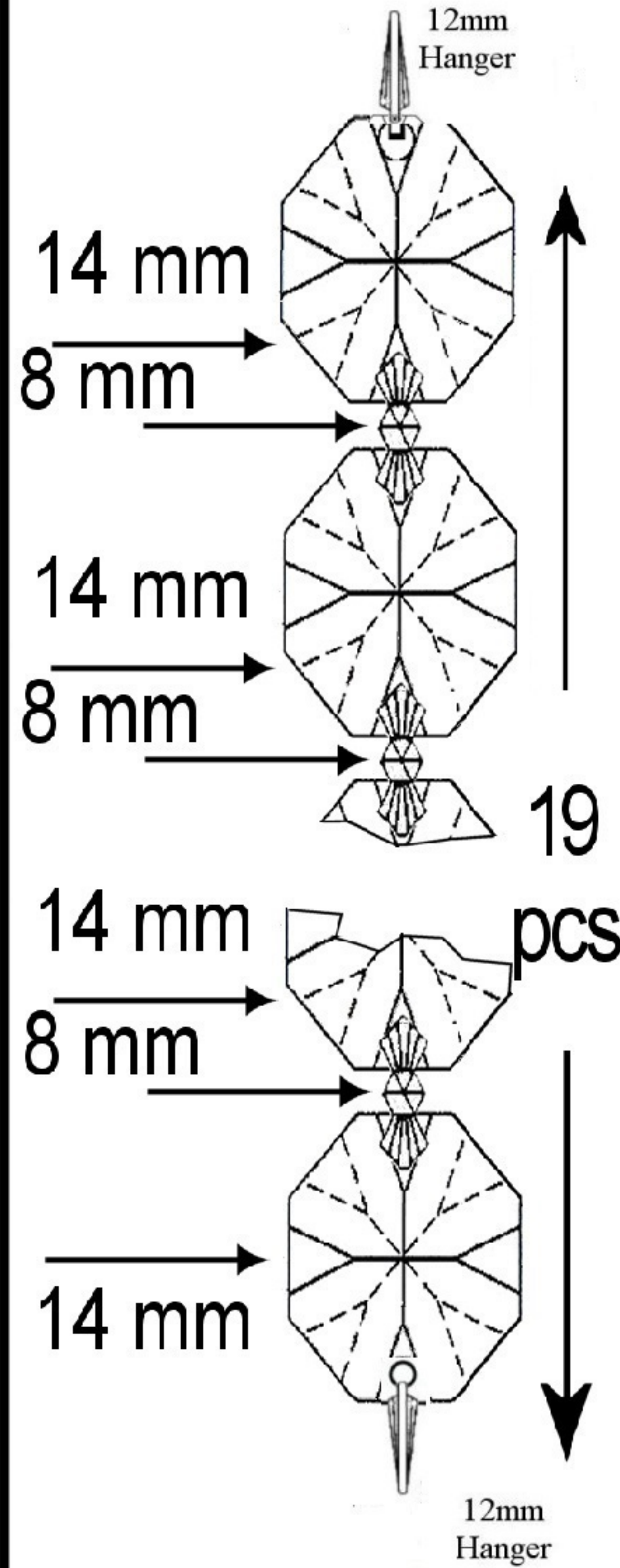
204 PCS

B



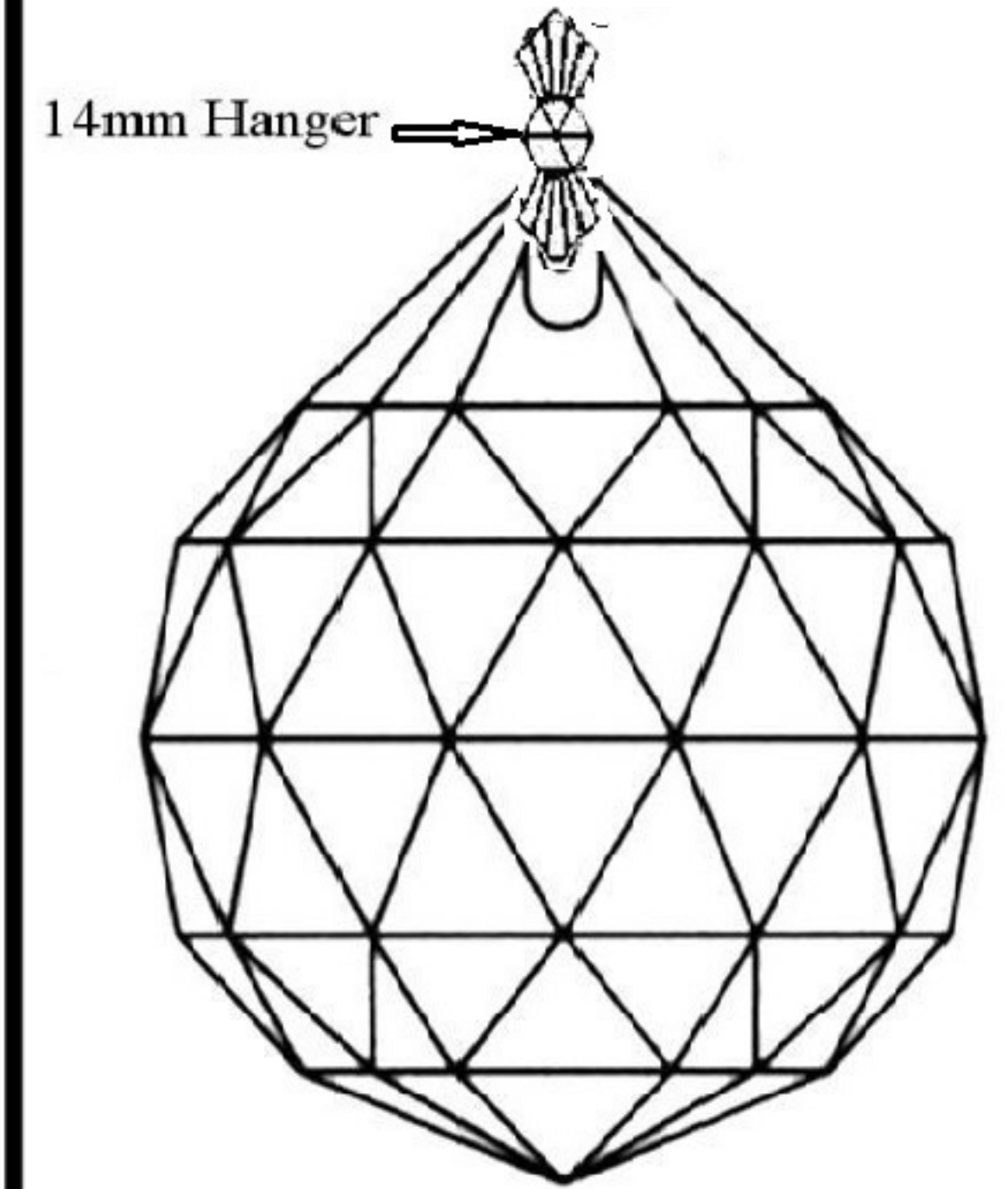
112 PCS

C



32 PCS

D



91 PCS